



WWW.RESTARSOLAR.COM

**RT6E-150-170P**

---

**36 Cells**  
Poly-crystalline

---

**150-170W**  
Power output

---

**17.17%**  
The Highest Efficiency

---

**0~+5W**  
Tolerance

RT6E-150-170P is a robust solar module with 36 solar cells. These modules can be used for on-grid solar applications. Our meticulous design and production techniques ensure a high-yield, long-term performance for every module produced. Our rigorous quality control and in-house testing facilities guarantee Restar solar's modules meet the highest quality standards possible.



High module conversion efficiency (up to 17.17%), through superior manufacturing technology



Guaranteed 0-+5W positive power output tolerance ensures high reliability



Anti-reflective, hydrophobic coating improves light absorption and reduces surface dust

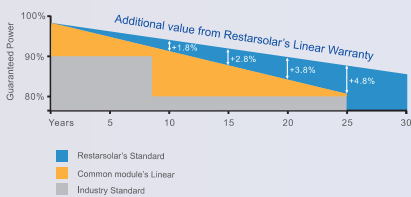


Excellent performance under low light environments (mornings, evenings and cloudy days)



Suitable for harsh environments, such as coasts, deserts and lakes. Withstand high level of wind loads (2400pa) and snow loads (5400pa)

**0.5% Annual Degradation over 30 years**



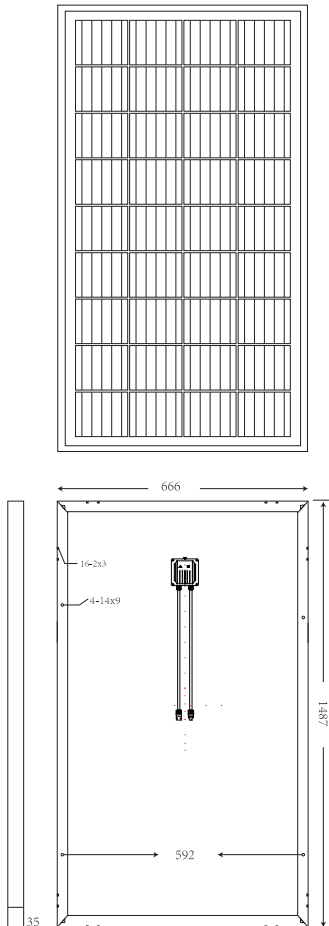
**Full range of products and certification systems**

ISO 9001 TUV PID-FREE CE IEC61215/61730/61701/62716



**LINEAR PERFORMANCE WARRANTY**  
12 year Product Warranty / 30 year Linear Power Warranty

Dimension of PV Modules Unit: mm



### ELECTRICAL DATA(STC)

Rated Power in Watts-Pmax(Wp)	150W	155W	160W	165W	170W
Open Circuit Voltage-Voc(V)	22.59V	23.15V	23.59V	23.8V	24.31V
Short Circuit Current-Isc(A)	8.73A	8.82A	8.93A	9.12A	9.20A
Maximum Power Voltage-Vmp(V)	18.21V	18.64V	19.01V	19.19V	19.59V
Maximum Power Current-Imp(A)	8.24A	8.32A	8.42A	8.6A	8.68A
Module Efficiency (%)	15.15%	15.65%	16.16%	16.66%	17.17%

STC: Irradiance 1000 W/m<sup>2</sup>, Cell Temperature 25°C, Air Mass AM1.5 according to EN 60904-3.

### ELECTRICAL DATA(NOCT)

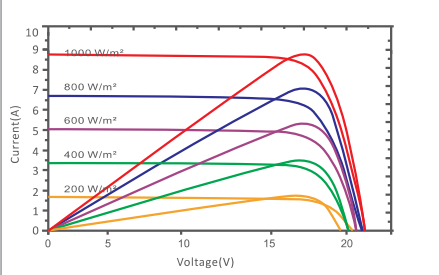
Maximum Power-Pmax (Wp)	108W	112W	115W	120W	124W
Open Circuit Voltage-Voc (V)	21V	21.51V	21.92V	22.13V	22.37V
Short Circuit Current-Isc (A)	6.98A	7.05A	7.14A	7.3A	7.34A
Maximum Power Voltage-Vmp(V)	16.74V	17.14V	17.4V	17.88V	18.10V
Maximum Power Current-Imp(A)	6.46A	6.54A	6.61A	6.77A	6.85A

NOCT: Irradiance at 800 W/m<sup>2</sup>, Ambient Temperature 20°C, Wind Speed 1 m/s.

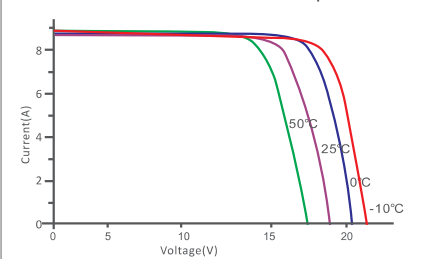
### MECHANICAL DATA

Solar cells	Poly-crystalline 156x156mm, 4 or 5 Bus bars
Cell configuration	36 cells(4x9)
Module dimensions	1487x666x35mm
Weight	11.5KGS
Front Cover	3.2mm Tempered Glass
Frame Material	Anodized Aluminum Alloy
J-BOX	IP65 or IP67, 6 Diodes
Cable	4mm <sup>2</sup> (IEC)/12AWG(UL),900mm
Connectors	MC4 or MC4 Comparable
Standard Packaging	2pcs/carton box

I-V characteristics at different irradiancies



I-V characteristics at different temperature



### TEMPERATURE & MAXIMUM RATINGS

Nominal Operating Cell Temperature (NOCT)	45°C±2°C
Temperature Coefficient of Voc	-0.32%/°C
Temperature Coefficient of Isc	0.05%/°C
Temperature Coefficient of Pmax	-0.39%/°C
Operational Temperature	-40~+85°C
Maximum System Voltage	1000V(IEC)/600V(UL)
Max Series Fuse Rating	12A
Limiting Reverse Current	12A

### PACKAGING CONFIGURATION

	40HQ	20GP
Number of modules per container	1680pcs	660pcs
Package	2pcs/carton box	2pcs/carton box
Package Weight	23kg/carton box	23kg/carton box
Package Number	840carton boxes	330carton boxes
Package Dimension	1500*700*80mm/carton box	1500*700*80mm/carton box